



**DEA CLASS M, SMART SERIES VAULT  
5 SIDED**

APPROX. WEIGHT: **10,528.00 LBS.**  
(WEIGHT INCLUDES VAULT AND DOOR)

**WELDS:**

- 1" x 3/32" FILLET WELD EVERY 12" O/C, INSIDE WALL PANELS
- 2" x 3/32" FILLET WELD EVERY 18" O/C, INSIDE CEILING PANELS
- 2" x 3/32" FILLET WELD EVERY 18" O/C, INSIDE FLOOR PANELS

**- RECOMMENDED WELDING APPLICATION**

.030-.035 WIRE FEEDER.

**ABBREVIATIONS FOR VAULT PANELS:**

- SW** - STANDARD WALL PANEL
- SCP** - STANDARD CORNER PANEL
- MCP** - MODIFIED CORNER PANEL
- SWT** - SIDE WALL "TEE" PANEL
- BWT** - BACK WALL "TEE" PANEL
- LD** - LEFT DOOR PANEL
- RD** - RIGHT DOOR PANEL
- MSR** - MODIFIED STANDARD ROOF PANEL
- FR** - FRONT ROOF PANEL
- BR** - BACK ROOF PANEL

**NOTE:**

1. ALLOWANCE FOR GROWTH OF APPROXIMATELY 1" PER 15'-0" OF VAULT SHOULD BE CONSIDERED.
2. SPECIAL CARE MUST BE TAKEN TO ENSURE LIGHT WEIGHT VAULT PANELS ARE KEPT MOISTURE FREE AT ALL TIMES THROUGHOUT TRANSPORTATION, INSTALLATION OR STORAGE PENDING INSTALLATION. NO LIGHTWEIGHT PANELS WILL BE SHIPPED FROM MANUFACTURE UNLESS TARPED ON TRANSPORT. IT IS THE CUSTOMERS RESPONSIBILITY TO PREPARE THE WALLS, FLOORS, ETC. TO ACCEPT THE FINISH MATERIALS, I.E. PAINT, WALLPAPER.
3. THE INSTALLATION OF THE VAULT IS TO BE ON A CONCRETE SLAB FLOOR PREPARED BY THE CUSTOMER. THE FLOOR AND ITS SUPPORTS MUST BE SUFFICIENT TO SUPPORT THE WEIGHT OF THE MODULAR VAULT, VAULT DOOR, STRUCTURAL SUPPORTS, AND CONTENTS OF THE VAULT.

**SCRIPPS SAFE, INC**  
**FROM: CHRIS VON ZWEH**  
**9051 TAMiami TRAIL #201**  
**NAPLES, FL 34108**  
**844-472-3379**  
**844-647-2845**

**TO: KINGSTON, NY 12401**  
**WESTCHESTER MEDICAL CENTER**



		REVISIONS		
ZONE	REV.	DESCRIPTION	DATE	APPROVED
	B	CHANGE VAULT DOOR TO LEFT SWING AND MOVE AS FAR LEFT ,ADD CUT OUT FOR EXISTING COLUMN ON BACK RIGHT CORNER WALL	5/6/2020	
	C	CHANGE VAULT SIZE TO 8FT WIDE TO 12FT AND MOVE DOOR BACK TO CENTER	5/7/2020	
	D	CHANGE VAULT HEIGHT TO 9FT	5/8/2020	
	E	MAKE VAULT SIX SIDED	9/15/2020	
	F	CHANGE VAULT TO FIVE SIDED. CUSTOM LW DOOR 37"x80" C.O.	12/8/2021	
	G	CHANGE DOOR TO CLASS-M LW DOOR 37"x78" C.O.	12/16/2021	



APPROVED BY: \_\_\_\_\_

DATE: \_\_\_\_\_

PAGES 1-6 ARE FOR APPROVAL ONLY, REMAINING ARE STRICTLY FOR PRODUCTION

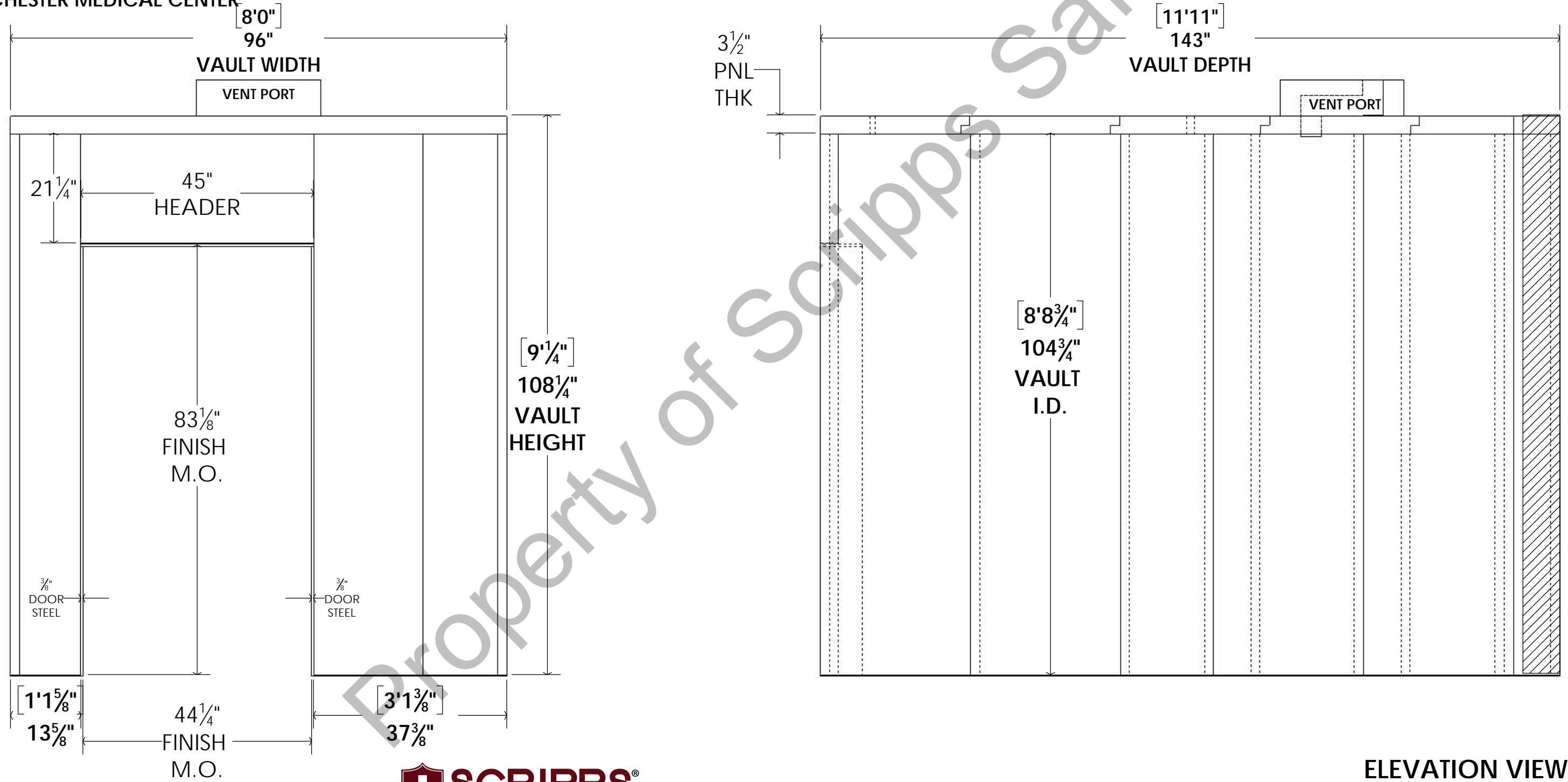
THIS IS A PROPRIETARY DRAWING AND MAY NOT BE COPIED IN ANY FASHION WITHOUT THE EXPRESS WRITTEN PERMISSION OF SCRIPPS SAFES.



MATERIAL :	DWG. NO.	JOB:	DRAWN BY: AR	DATE:12/16/2021	WEIGHT:10,528	REV
GAUGE :						
GRAIN :	TITLE: SCR100-6972-VI-M		MODEL BY: AR	SCALE: 1:24	SHEET 1 OF 8	G
BEND RAD. :						
K-FACTOR:						

SCRIPPS SAFE, INC  
 FROM: CHRIS VON ZWEHI  
 9051 TAMiami TRAIL #201  
 NAPLES, FL 34108  
 844-472-3379  
 844-647-2845

TO: KINGSTON, NY 12401  
 WESTCHESTER MEDICAL CENTER



ELEVATION VIEW

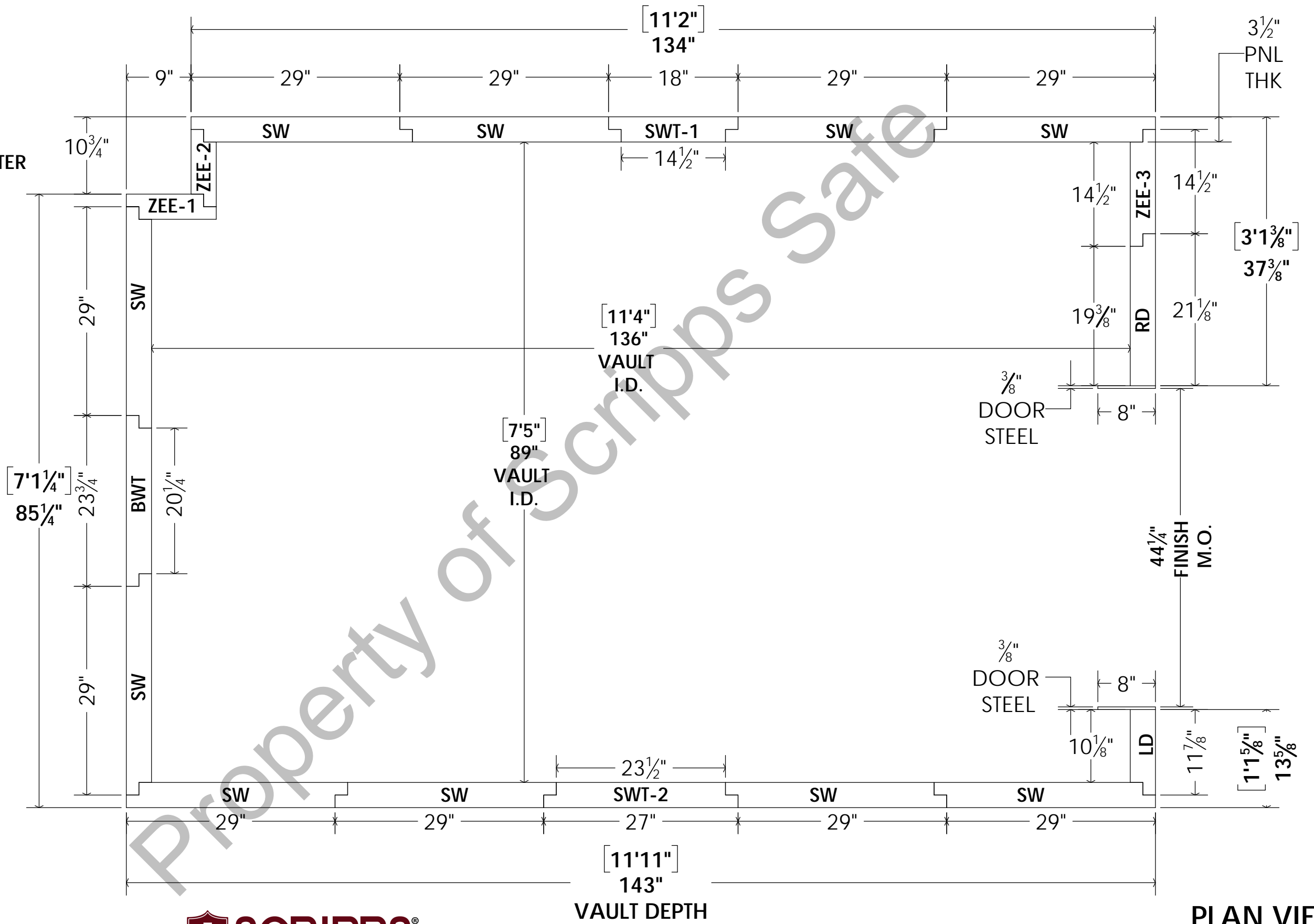
THIS IS A PROPRIETARY DRAWING AND MAY NOT BE COPIED IN ANY FASHION WITHOUT THE EXPRESS WRITTEN PERMISSION OF SCRIPPS SAFES.



MATERIAL :	DWG. NO.	JOB:	DRAWN BY: AR	DATE: 12/16/2021	WEIGHT: 10,528	REV
GAUGE :	TITLE: SCR100-6972-VI-M	MODEL BY: AR	SCALE: 1:20	SHEET 2 OF 8		G
GRAIN :						
BEND RAD. :						
K-FACTOR :						

SCRIPPS SAFE, INC  
 FROM: CHRIS VON ZWEHI  
 9051 TAMiami TRAIL #201  
 NAPLES, FL 34108  
 844-472-3379  
 844-647-2845

TO: KINGSTON, NY 12401  
 WESTCHESTER MEDICAL CENTER



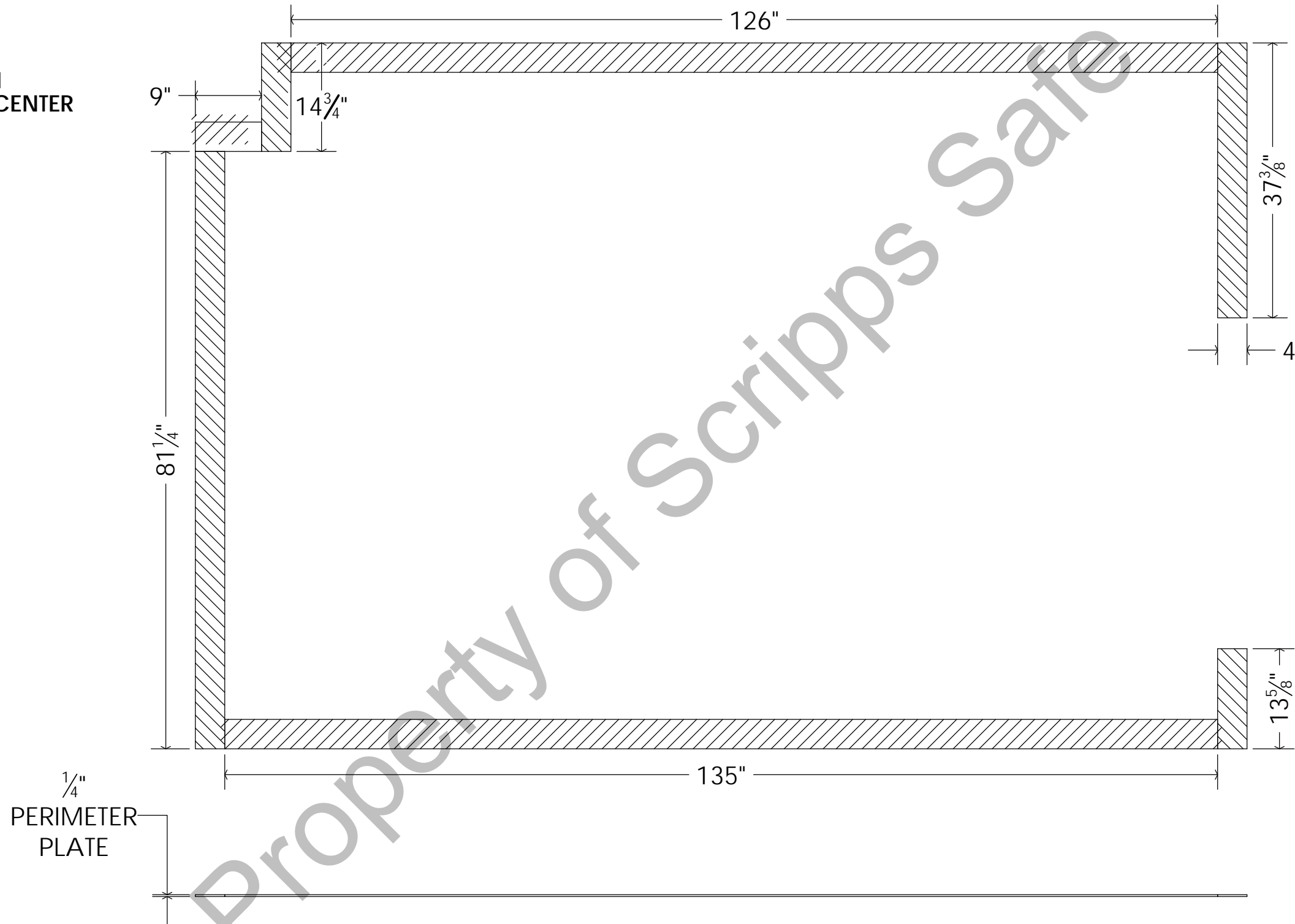
THIS IS A PROPRIETARY DRAWING AND MAY NOT BE COPIED IN ANY FASHION WITHOUT THE EXPRESS WRITTEN PERMISSION OF SCRIPPS SAFES.

MATERIAL :	DWG. NO.	JOB:	DRAWN BY: AR	DATE: 12/16/2021	WEIGHT: 10,528	REV
GAUGE :	TITLE: SCR100-6972-VI-M	MODEL BY: AR	SCALE: 1:14	SHEET 3 OF 8		G
GRAIN :						
BEND RAD. :						
K-FACTOR :						

PLAN VIEW

SCRIPPS SAFE, INC  
 FROM: CHRIS VON ZWEHI  
 9051 TAMiami TRAIL #201  
 NAPLES, FL 34108  
 844-472-3379  
 844-647-2845

TO: KINGSTON, NY 12401  
 WESTCHESTER MEDICAL CENTER



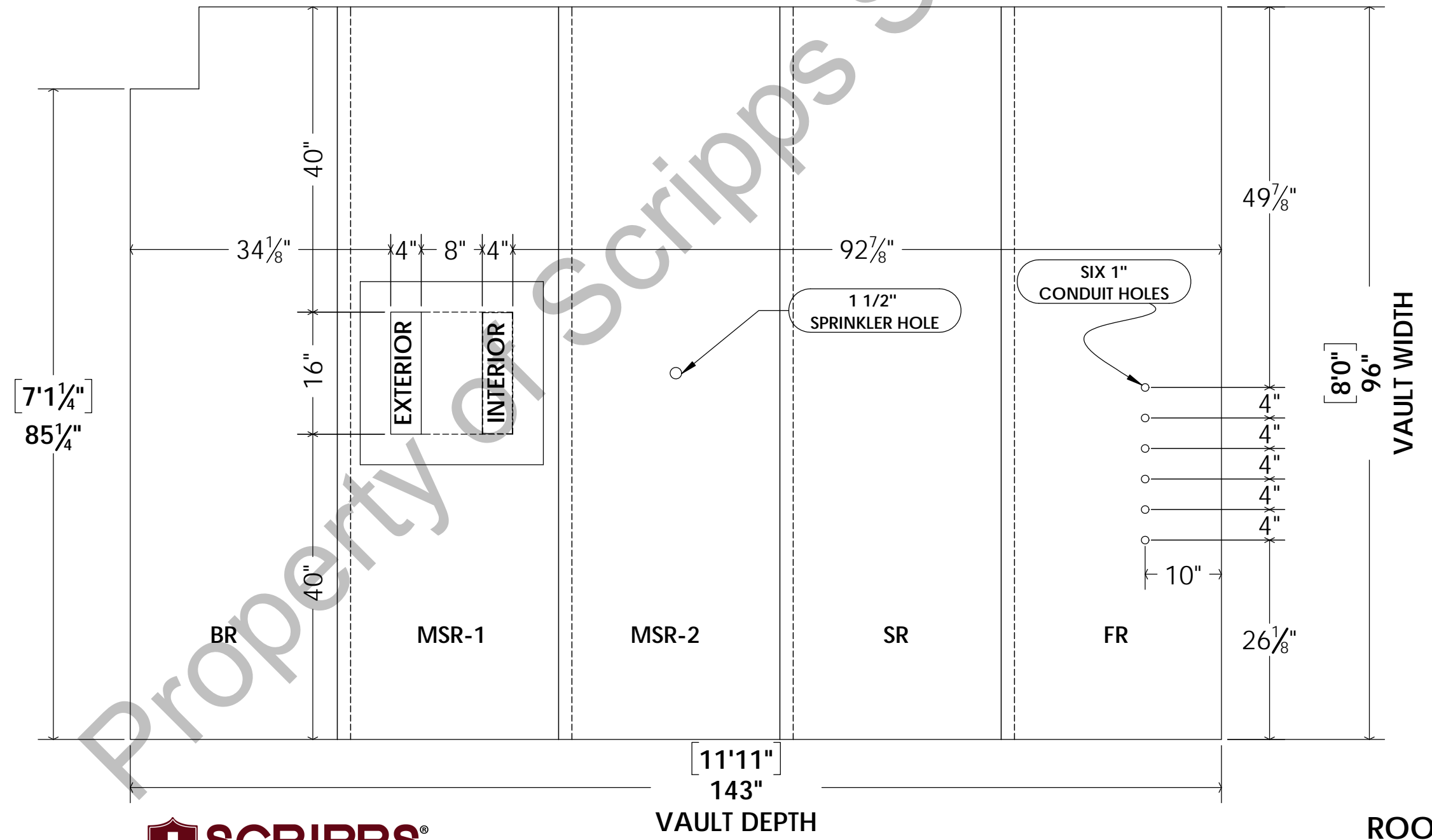
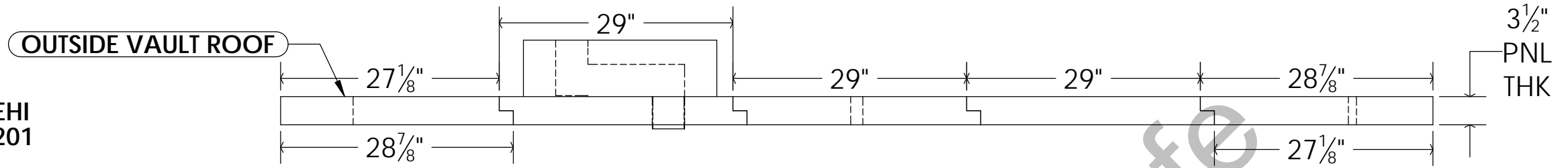
FLOOR PLAN

THIS IS A PROPRIETARY DRAWING AND MAY NOT BE COPIED IN ANY FASHION WITHOUT THE EXPRESS WRITTEN PERMISSION OF SCRIPPS SAFES.

MATERIAL :	DWG. NO.	DRAWN BY: AR	DATE: 12/16/2021	WEIGHT: 10,528	REV
GAUGE :	TITLE: SCR100-6972-VI-M	MODEL BY:	SCALE: 1:16	SHEET 4 OF 8	G
GRAIN :					
BEND RAD. :					
K-FACTOR :					

SCRIPPS SAFE, INC  
 FROM: CHRIS VON ZWEHI  
 9051 TAMiami TRAIL #201  
 NAPLES, FL 34108  
 844-472-3379  
 844-647-2845

TO: KINGSTON, NY 12401  
 WESTCHESTER MEDICAL CENTER



THIS IS A PROPRIETARY DRAWING AND MAY NOT BE COPIED IN ANY FASHION WITHOUT THE EXPRESS WRITTEN PERMISSION OF SCRIPPS SAFES.

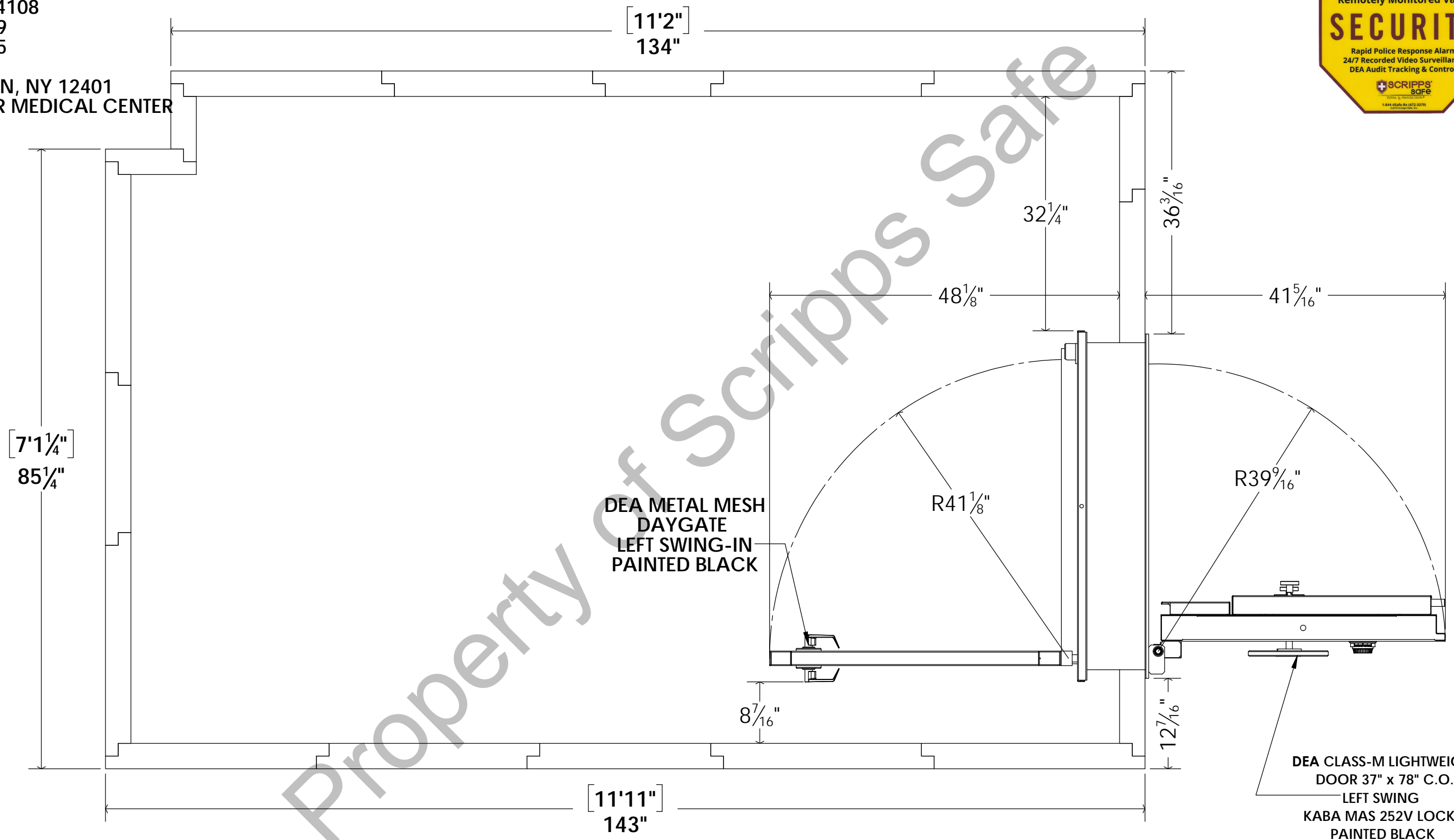
11' 11"  
143"  
VAULT DEPTH

ROOF VIEW

MATERIAL :	DWG. NO.	JOB:	DRAWN BY: AR	DATE: 12/16/2021	WEIGHT: 10,528	REV
GAUGE :	TITLE: SCR100-6972-VI-M	MODEL BY: AR	SCALE: 1:16	SHEET 5 OF 8	G	
GRAIN :						
BEND RAD. :						
K-FACTOR :						

SCRIPPS SAFE, INC  
 FROM: CHRIS VON ZWEHI  
 9051 TAMIAMI TRAIL #201  
 NAPLES, FL 34108  
 844-472-3379  
 844-647-2845

TO: KINGSTON, NY 12401  
 WESTCHESTER MEDICAL CENTER



THIS IS A PROPRIETARY DRAWING AND MAY NOT BE COPIED IN ANY FASHION WITHOUT THE EXPRESS WRITTEN PERMISSION OF SCRIPPS SAFES.



MATERIAL :	DWG. NO.	JOB:	DRAWN BY: AR	DATE: 12/16/2021	WEIGHT: 10,528	REV
GAUGE :	TITLE: SCR100-6972-VI-M	MODEL BY: AR	SCALE: 1:14	SHEET 6 OF 8		G
GRAIN :						
BEND RAD. :						
K-FACTOR :						