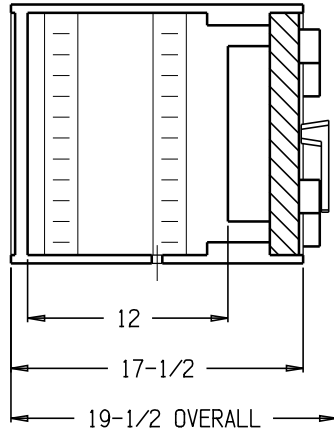


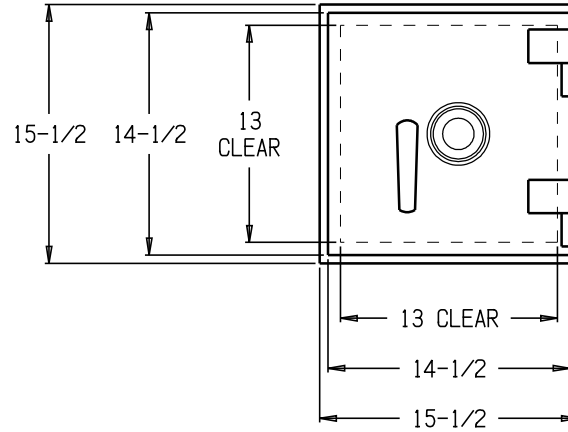


TOTAL R_x PROTECTION[®]

REVISIONS			
REV	DESCRIPTION	DATE	BY



SECTION VIEW



FRONT VIEW

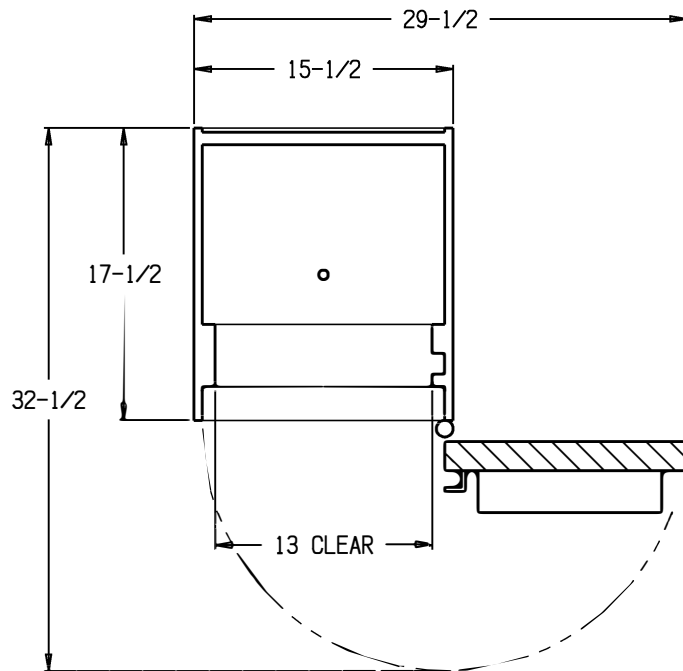
THIS IS A PROPRIETARY DRAWING AND MAY NOT BE COPIED IN ANY FASHION WITHOUT THE EXPRESS WRITTEN PERMISSION OF SCRIPPS SAFES.



CUSTOMER SIGNATURE	
CUSTOMER NAME	
DATE	



REVISIONS			
REV	DESCRIPTION	DATE	BY



PLAN VIEW SECTION

SPECIFICATIONS

1. Safe, 15-1/2 H x 15-1/2 W x 17-1/2 D, Outside, UL Listed TL-30.
2. Chest, 14-1/2 H x 14-1/2 W x 12 D, Inside. Constructed of 1/2" Thick Steel with a 3/4" Thick Steel Back Plate for Stability.
3. Door, Clear Opening: 13 H x 13 W. Constructed of 1-3/4" Thick Steel. Equipped with a UL Listed Access Control System, Relocking Devices and Two (2) 1" Dia. Chrome Plated Locking Bolts. Lock Protected by a Drill-Resistant Hardplate.
4. Supplied with One (1) 9/16" Dia. Anchor Hole with Hardware.
5. Approx Weight: 357 lbs.

THIS IS A PROPRIETARY DRAWING AND MAY NOT BE COPIED IN ANY FASHION WITHOUT THE EXPRESS WRITTEN PERMISSION OF SCRIPPS SAFES.



CUSTOMER SIGNATURE	
CUSTOMER NAME	
DATE	

Guardian Series™

1-844-4Safe-Rx