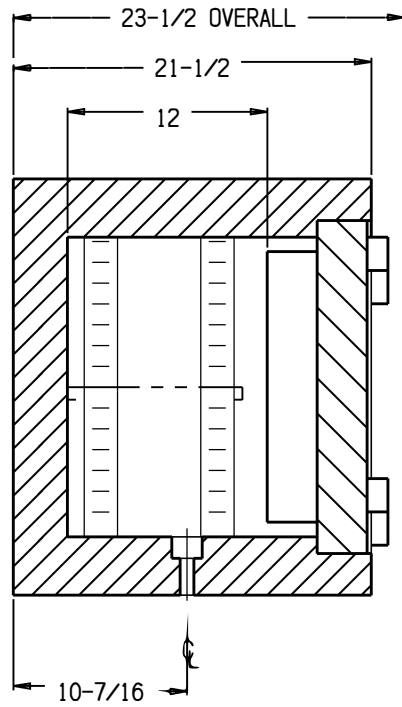
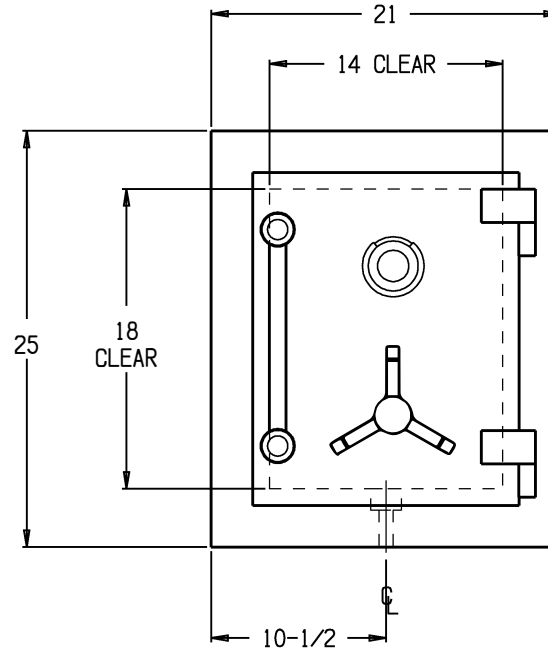


Guardian-TL 3025 1 D

REVISIONS			
REV	DESCRIPTION	DATE	BY
A	UPDATED CONSTRUCTION	29 JUL 18	T. L.
B	ADDED ANCHOR HOLE LOCATION	11 MAR 19	T.L.
C	UPDATED CONSTRUCTION	16 JUN 19	T.L.
D	WAS FRONT READ DIAL	26 MAY 20	T.L.



SECTION VIEW



FRONT VIEW



TOTAL **Rx** PROTECTION®

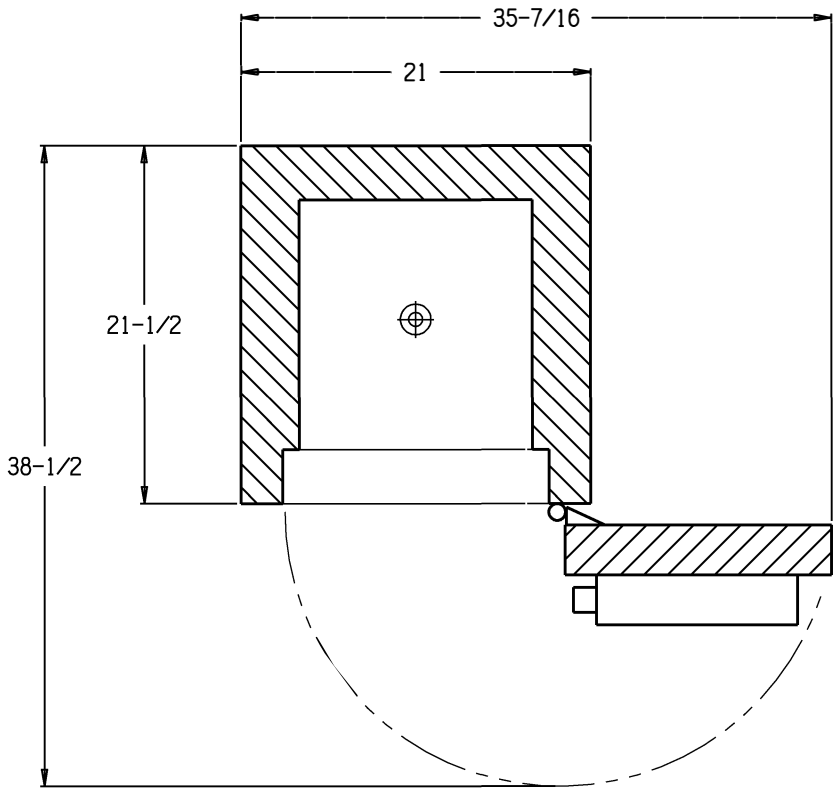
Guardian - 18.00 x 14.00 x 12.00

CUSTOMER SIGNATURE			
CUSTOMER NAME			
DATE			
COMPANY NAME			
Guardian Series™	ML #3025	B □ #	3025
1-844-4Safe-Rx	DRAWN R. Smith	SCALE 1/8	DO NOT SCALE DWG
		SHEET 1 OF 3	

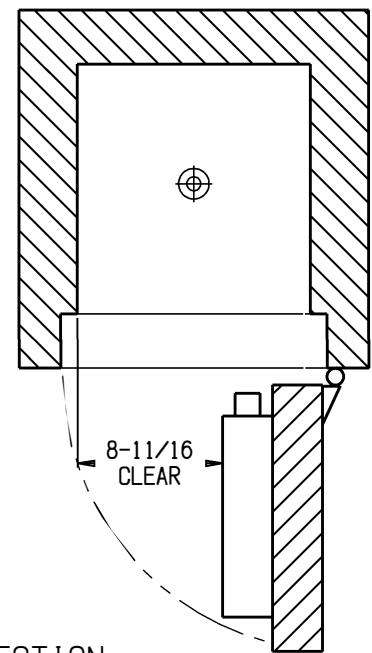


THIS IS A PROPRIETARY DRAWING AND MAY NOT BE COPIED IN ANY FASHION WITHOUT THE EXPRESS WRITTEN PERMISSION OF SCRIPPS SAFES.

REVISIONS			
REV	DESCRIPTION	DATE	BY
A	UPDATED CONSTRUCTION	29 JUL 18	T. L.
B	ADDED ANCHOR HOLE LOCATION	11 MAR 19	T.L.
C	UPDATED CONSTRUCTION	16 JUN 19	T.L.
D	WAS FRONT READ DIAL	26 MAY 20	T.L.



PLAN VIEW SECTION
DOOR @ 180°



PLAN VIEW SECTION
DOOR @ 90°



TOTAL **R_x** PROTECTION®

Guardian - 18.00 x 14.00 x 12.00

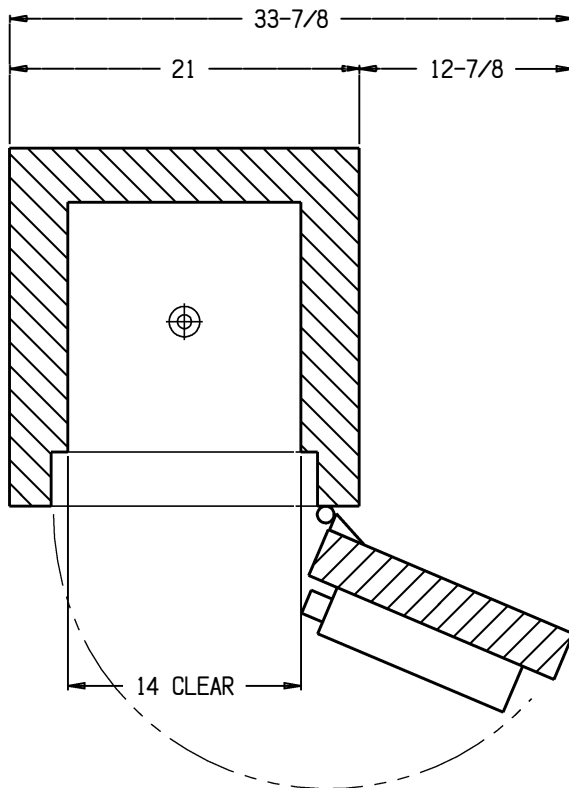
CUSTOMER SIGNATURE	
CUSTOMER NAME	
DATE	
COMPANY NAME	
Guardian Series™	ML #3025
1-844-4Safe-Rx	DRAWN R. SMITH

B □ #	Guardian 3025	D
SCALE 1/8	DO NOT SCALE DWG	SHEET 2 OF 3

THIS IS A PROPRIETARY DRAWING AND MAY NOT BE COPIED IN ANY FASHION WITHOUT THE EXPRESS WRITTEN PERMISSION OF SCRIPPS SAFES.

REVISIONS

REV	DESCRIPTION	DATE	BY
A	UPDATED CONSTRUCTION	29 JUL 18	T. L.
B	ADDED ANCHOR HOLE LOCATION	11 MAR 19	T.L.
C	UPDATED CONSTRUCTION	16 JUN 19	T.L.
D	WAS FRONT READ DIAL	26 MAY 20	T.L.



PLAN VIEW SECTION
DOOR @ 157°

SPECIFICATIONS

1. Safe: 25 H x 21 W x 21-1/2 D, Outside, UL Listed TL-30. Factory 2 Hr - 350° Fire Rating.
2. Chest: 18 H x 14 W x 12 D, Inside. Supplied with One (1) Adjustable Shelf.
3. Outer Door, Clear Opening: 18 H x 14 W, Equipped with a UL Listed Electronic Access Control System, Pull Handle, Bolt Detent and Three (3) 1/2 Dia. Chrome-Plated Locking Bolts.
4. U.L. Protected Hard plate and Re-Locker
5. Supplied with One (1) Anchor Hole with Hardware.
6. Approx Weight: 750 lbs.



TOTAL \mathcal{R} PROTECTION®

Guardian - 18.00 x 14.00 x 12.00

THIS IS A PROPRIETARY DRAWING AND MAY NOT BE COPIED IN ANY FASHION WITHOUT THE EXPRESS WRITTEN PERMISSION OF SCRIPPS SAFES.



CUSTOMER SIGNATURE			
CUSTOMER NAME			
DATE			
COMPANY NAME			
Guardian Series™	ML #3025	B □ #	Guardian 3025 □
1-844-4Safe-Rx	DRAWN R. SMITH	SCALE 1/8	DO NOT SCALE DWG SHEET 3 OF 3