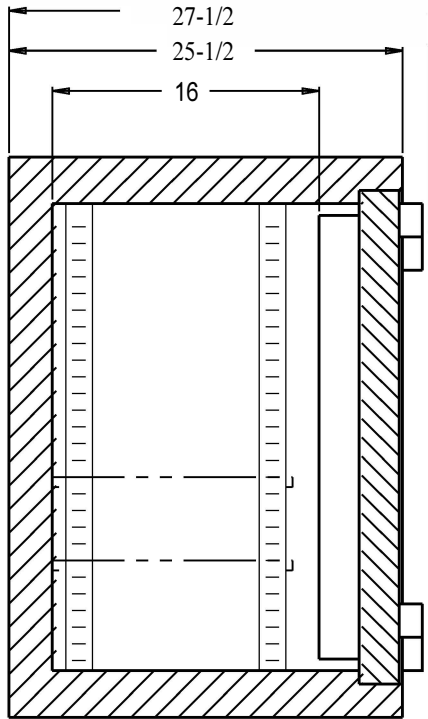


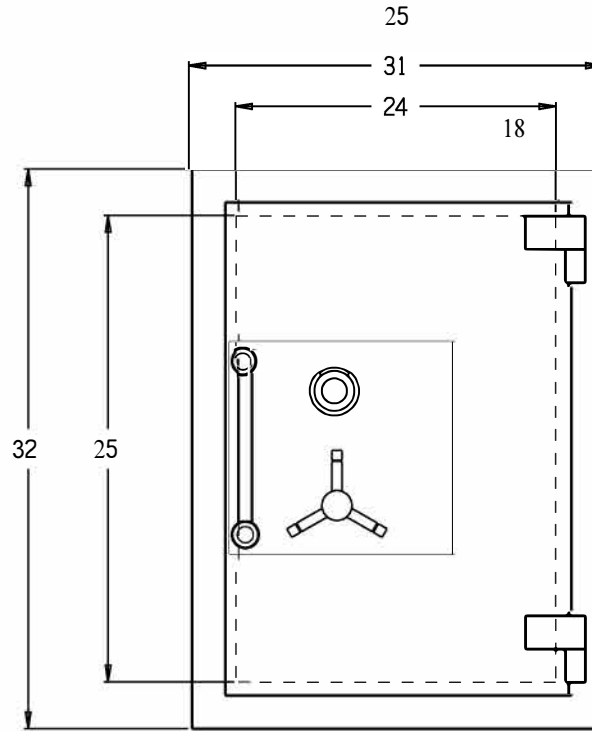


TOTAL Rx PROTECTION®

REVISIONS			
REV	DESCRIPTION	DATE	BY
A	ADDED PLAN VIEWS		
B	UPDATED CONSTRUCTION		
C	WAS FRONT READ DIAL		



SECTION VIEW



FRONT VIEW

CUSTOMER SIGNATURE	
CUSTOMER NAME	

Guardian Series™

1-844-4Safe-Rx

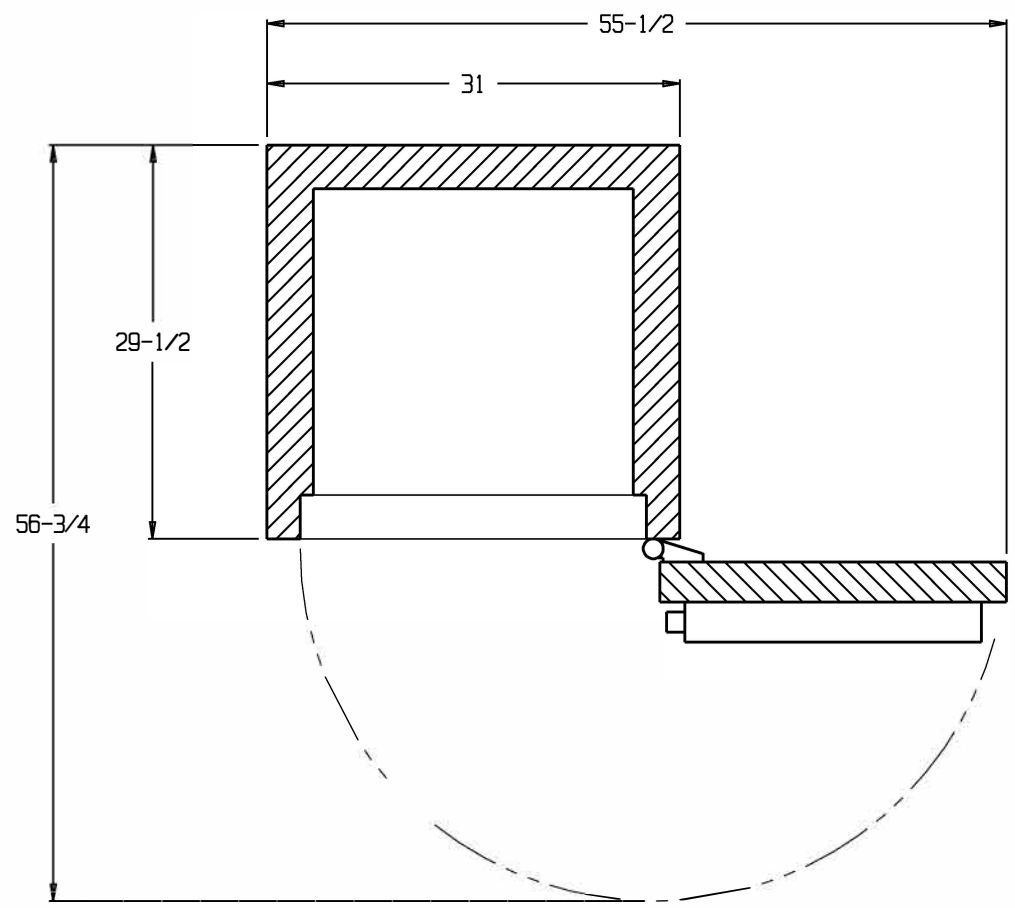
THIS IS A PROPRIETARY DRAWING AND MAY NOT BE COPIED IN ANY FASHION WITHOUT THE EXPRESS WRITTEN PERMISSION OF SCRIPPS SAFES.



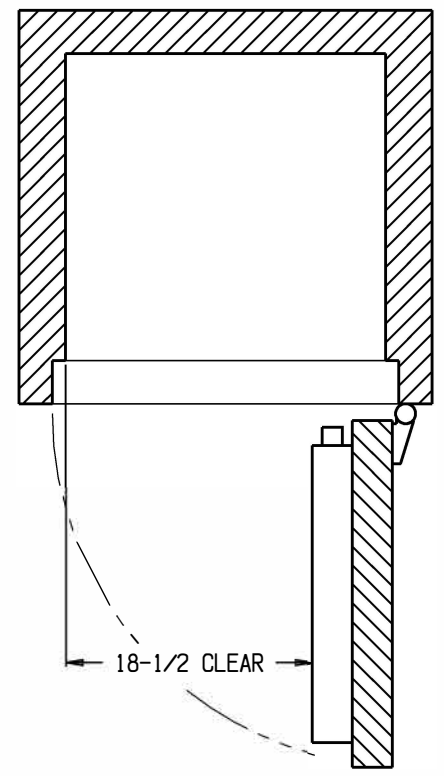


2 C

REVISIONS			
REV	DESCRIPTION	DATE	BY
A	ADDED PLAN VIEWS		
B	UPDATED CONSTRUCTION		
C	WAS FRONT READ DIAL		



PLAN SECTION VIEW
DOOR @ 180°



PLAN SECTION VIEW
DOOR @ 90°

THIS IS A PROPRIETARY DRAWING AND MAY NOT BE COPIED IN ANY FASHION WITHOUT THE EXPRESS WRITTEN PERMISSION OF SCRIPPS SAFES.

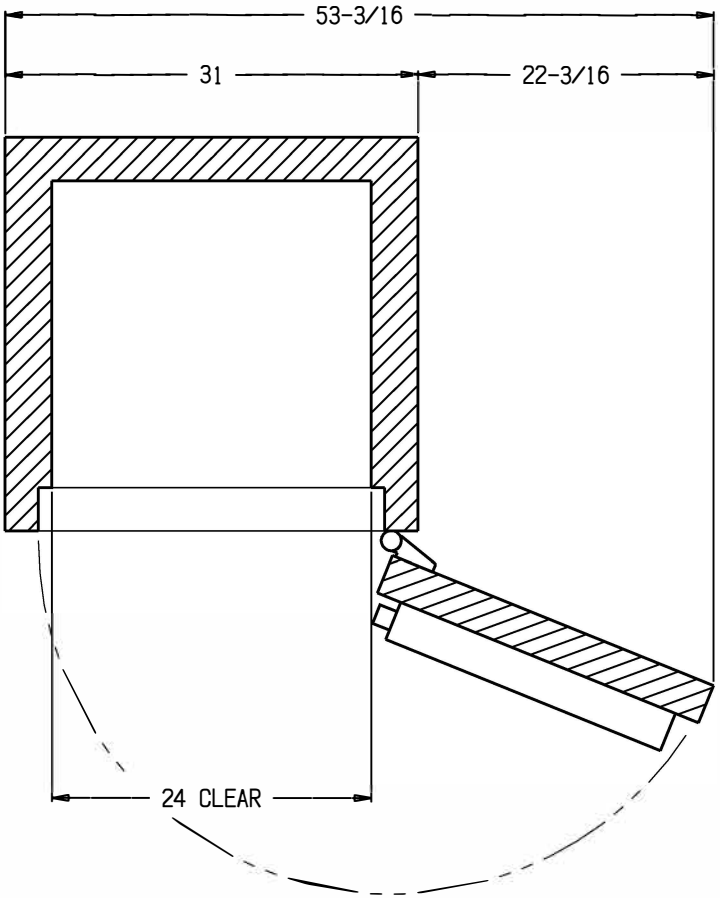


CUSTOMER SIGNATURE	
CUSTOMER NAME	
UL CERTIFIED	

Guardian Series™

1-844-4Safe-Rx

B	Q #		
1/10	DO NOT SCALE DWG	SHEET 2 OF 3	



PLAN SECTION VIEW
DOOR @ 157°

REVISIONS			
REV	DESCRIPTION	DATE	BY
A	ADDED PLAN VIEWS	11 MAR 11	R.F.T.
B	UPDATED CONSTRUCTION	16 JUN 15	R.F.T.
C	WAS FRONT READ DIAL	26 MAY 17	R.F.T.

SPECIFICATIONS

1. Safe, 42 H x 31 W x 29-1/2 D, Outside. UL Listed TL-30. Factory 2 Hr - 350° Fire Rating.
2. Chest, 35 H x 24 W x 20 D, Inside, Supplied with Two (2) Adjustable Shelves.
3. Outer Door, Clear Opening: 35 H x 24 W. Equipped with a UL Listed Three-Wheel Key-Change Combination Lock with a Spy-Proof Dial, Relocking Devices, Pull Handle, Bolt Detent and Three (3) 1-1/2" Dia. Chrome-Plated Locking Bolts. Lock Protected by a Drill-Resistant Hardplate.
4. Approx. Weight: 1674 lbs.

THIS IS A PROPRIETARY DRAWING AND MAY NOT BE COPIED IN ANY FASHION WITHOUT THE EXPRESS WRITTEN PERMISSION OF SCRIPPS SAFES.



CUSTOMER SIGNATURE	
CUSTOMER NAME	



Guardian Series™

1-844-4Safe-Rx

ML #	C B524	B	Q #	SK2007-346	C	
DRAWN	R. Tu ckt	12 JUN 07	SCALE	1/10	DO NOT SCALE DWG	SHEET 3 OF 3