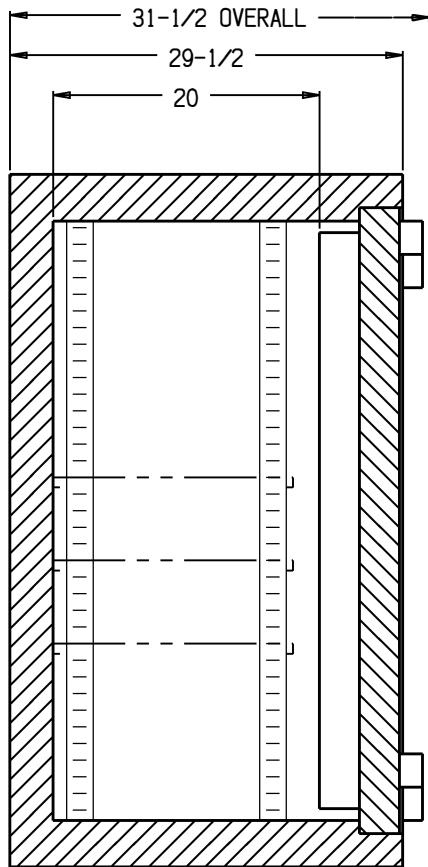
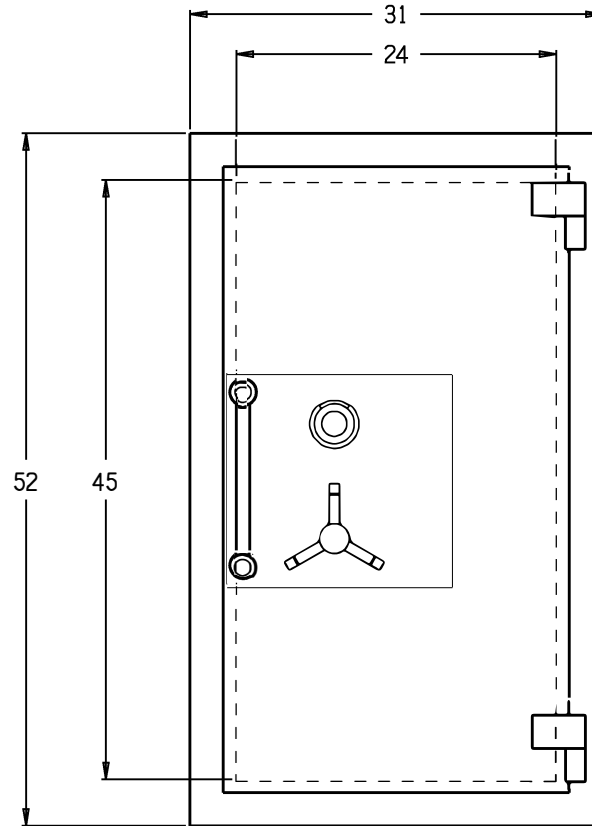


SK2007-348 1 C

REVISIONS			
REV	DESCRIPTION	DATE	BY
A	ADDED PLAN VIEWS		
B	UPDATED CONSTRUCTION		
C	WAS FRONT READ DIAL		




SECTION VIEW



FRONT VIEW

THIS IS A PROPRIETARY DRAWING AND MAY NOT BE COPIED IN ANY FASHION WITHOUT THE EXPRESS WRITTEN PERMISSION OF SCRIPPS SAFES.



CUSTOMER SIGNATURE	
CUSTOMER NAME	
DATE	
COMPANY NAME	
	



TOTAL R_x PROTECTION[®]

B	Q #	SK2007-348	C
---	-----	------------	---

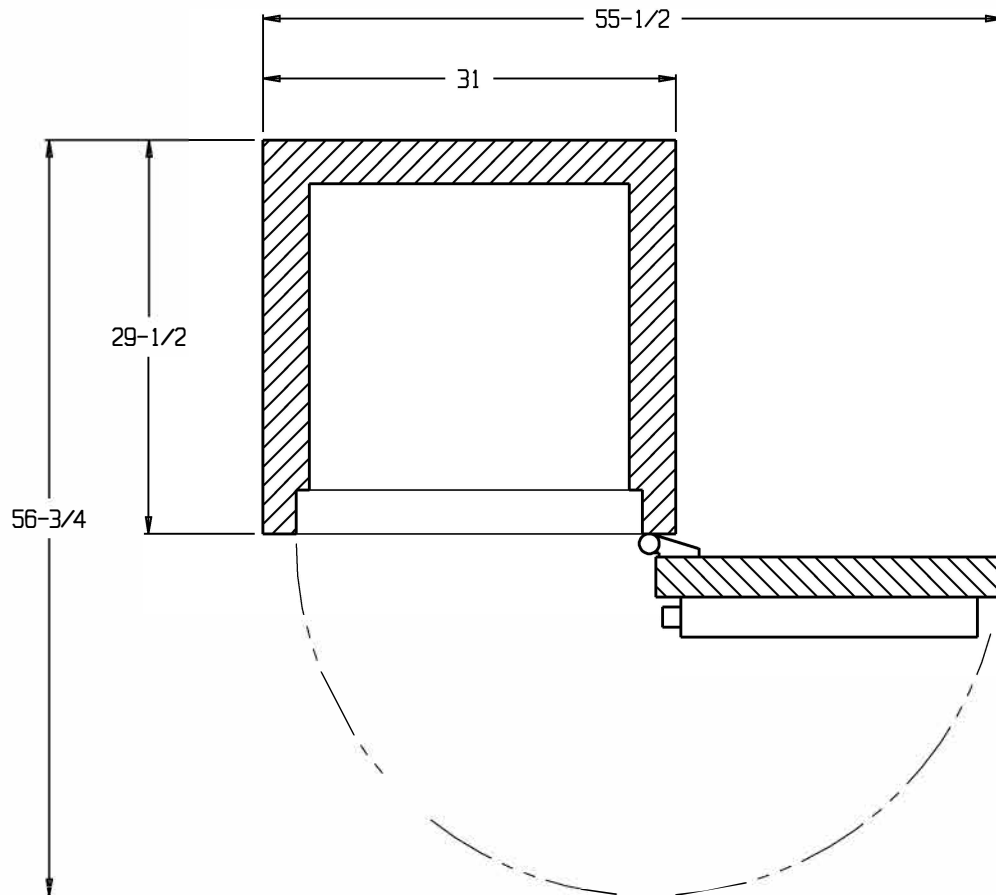
19 JUN 20

CALE 1/10

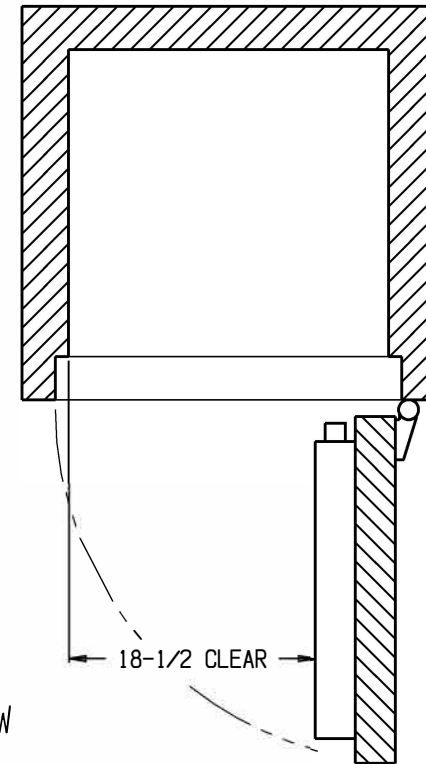
DO NOT SCALE DWG

SHEET 1 OF 3

REVISIONS			
REV	DESCRIPTION	DATE	BY
A	ADDED PLAN VIEWS		R.F.T.
B	UPDATED CONSTRUCTION		
C	WAS FRONT READ DIAL		




PLAN SECTION VIEW
DOOR @ 180°



PLAN SECTION VIEW
DOOR @ 90°

THIS IS A PROPRIETARY DRAWING AND MAY NOT BE COPIED IN ANY FASHION WITHOUT THE EXPRESS WRITTEN PERMISSION OF SCRIPPS SAFES.

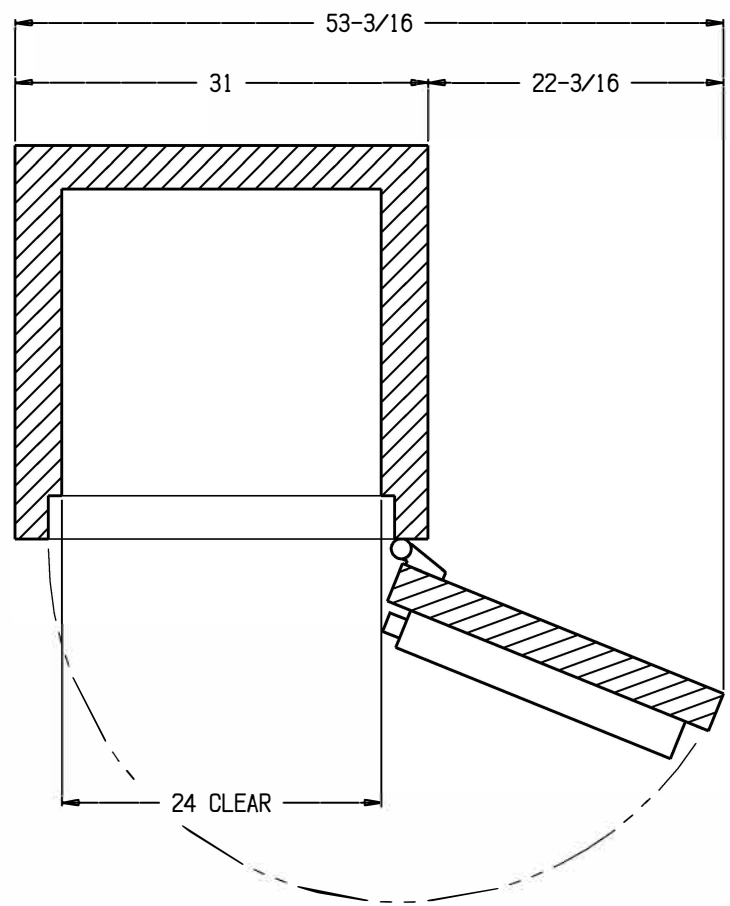


CUSTOMER SIGNATURE	
CUSTOMER NAME	
DATE	
COMPANY NAME	
	
19 JUN 20	SCALE 1/10 DD NOT SCALE DWG



B	Q #		
		C	

REVISIONS			
REV	DESCRIPTION	DATE	BY
A	ADDED PLAN VIEWS		
B	UPDATED CONSTRUCTION		
C	WAS FRONT READ DIAL		



PLAN SECTION VIEW
DOOR @ 157°

SPECIFICATIONS

1. Safe, 52 H x 31 W x 29-1/2 D, Outside. UL Listed TL-30. Factory 2 Hr - 350° Fire Rating.
2. Chest, 45 H x 24 W x 20 D, Inside, Supplied with Three (3) Adjustable Shelves.
3. Outer Door, Clear Opening: 45 H x 24 W. Equipped with a UL Listed Access Control System. Pull Handle, Bolt Detent, Relocking Devices with Three (3) 1-1/2" Dia. Chrome-Plated Locking Bolts. Lock Protected by a Drill-Resistant Hardplate.
4. Approx. Weight: 2003 lbs.

THIS IS A PROPRIETARY DRAWING AND MAY NOT BE COPIED IN ANY FASHION WITHOUT THE EXPRESS WRITTEN PERMISSION OF SCRIPPS SAFES.



C	MEER'S SIGNATURE	
	CUSTOMER NAME	
	DATE	
	COMPANY NAME	



TOTAL R_X PROTECTION®

B	Q #		C
SCALE	1/10	DO NOT SCALE DWG	SHEET 3 OF 3