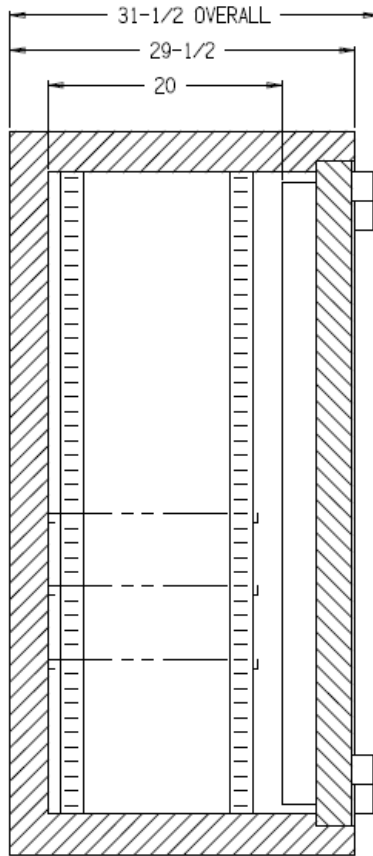
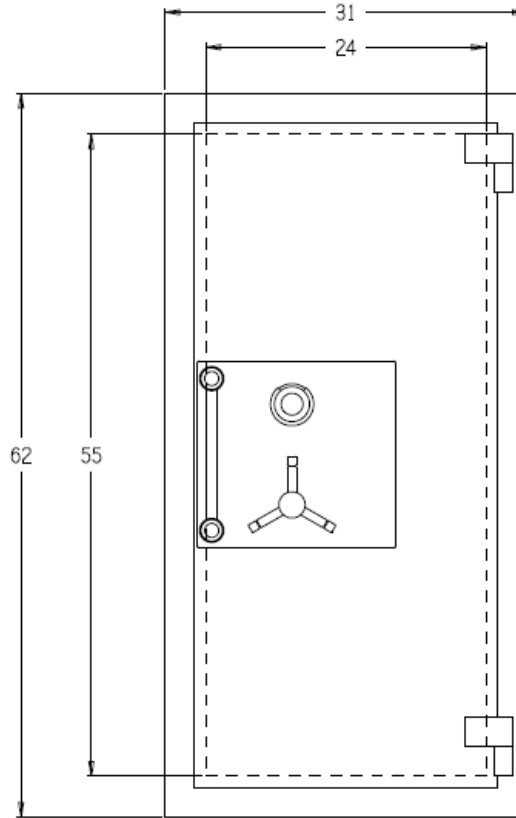


Scripps Safe Guardian Series™ - TL-3062



SECTION VIEW



FRONT VIEW

REVISIONS			
REV	DESCRIPTION	DATE	BY
A	ADDED PLAN VIEWS	07 APR 11	R.F.T.
B	UPDATED CONSTRUCTION	16 JUN 15	R.F.T.
C	WAS FRONT READ DIAL	26 MAY 17	R.F.T.



SPECIFICATIONS

1. Safe, 62H x 31W x 29-1/2D, Outside. UL Listed TL-30, Factory 2 Hr - 350 Fire Rating
2. Chest, 55H x 24W x 20D, Inside, Supplied with Three (3) Adjustable Shelves
3. Out Door, Clear Opening: 55H x 24W. Pull Handle, Bolt-Detent, Re-locking Devices and Five (5) 1-1/2" Dia. Chrome-plated locking bolts. Lock Protected by a drill-resistant hard plate.
4. Hi-Security UL Type 1 Electronic Access Control locking system with Audit
5. Central Alarm Door Contacts with vibration sensors
6. Approx. Weight: 2343 lbs.

THIS IS A PROPRIETARY DRAWING AND MAY NOT BE COPIED IN ANY FASHION WITHOUT THE EXPRESS WRITTEN PERMISSION OF SCRIPPS SAFES.



CUSTOMER SIGNATURE	
CUSTOMER NAME	
ML # CE5524	B Q #
DRAWN R. Tucker	08 JUL 09

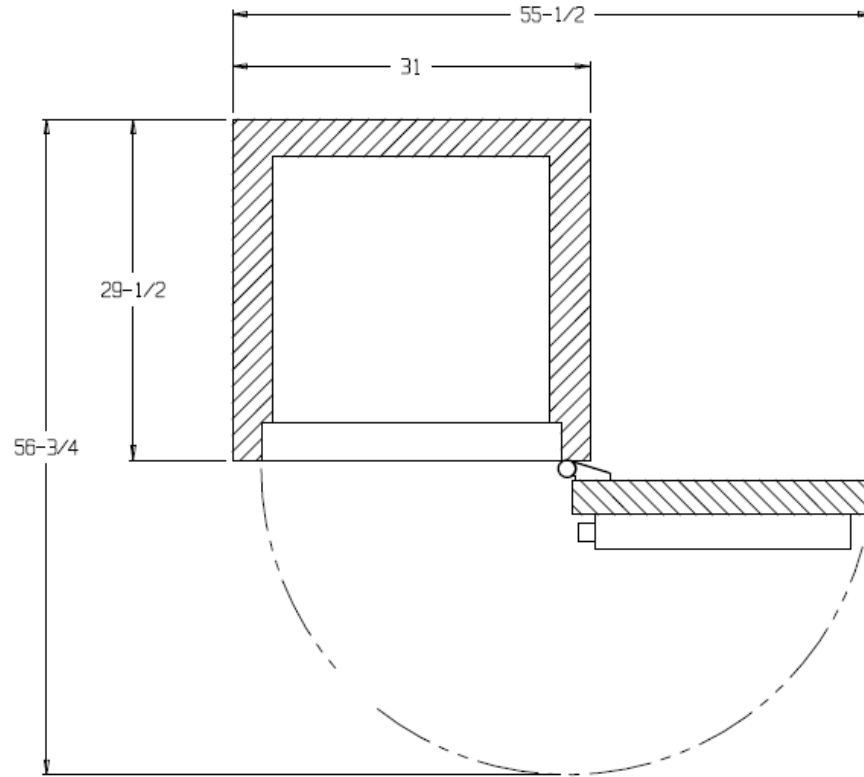


SK2009-347	C
SCALE 1/10	DO NOT SCALE DWG
SHEET 1 OF 3	

Scripps Safe Guardian Series™ - TL-3062

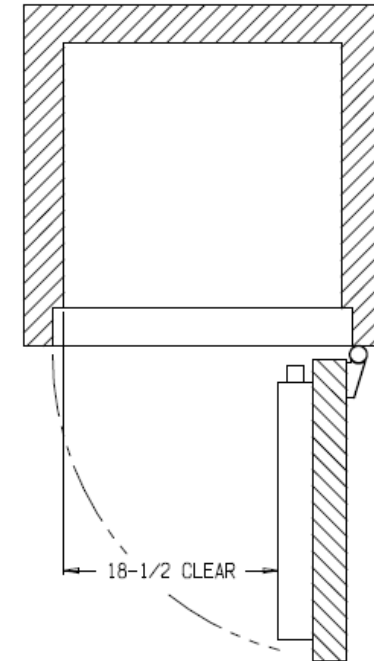
Guardian Series™

1-844-4Safe-Rx



PLAN SECTION VIEW
DOOR @ 180°

REVISIONS			
REV	DESCRIPTION	DATE	BY
A	ADDED PLAN VIEWS	07 APR 11	R.F.T.
B	UPDATED CONSTRUCTION	16 JUN 15	R.F.T.
C	WAS FRONT READ DIAL	26 MAY 17	R.F.T.



PLAN SECTION VIEW
DOOR @ 90°

THIS IS A PROPRIETARY DRAWING AND MAY NOT BE COPIED IN ANY FASHION WITHOUT THE EXPRESS WRITTEN PERMISSION OF SCRIPPS SAFES.



CUSTOMER SIGNATURE	
CUSTOMER NAME	
DATE	
UL CERTIFIED	ML # CE5524
	B Q #



SK2009-347	C			
DRAWN R, Tucker	08 JUL 09	SCALE 1/10	DO NOT SCALE DWG	SHEET 2 OF 3