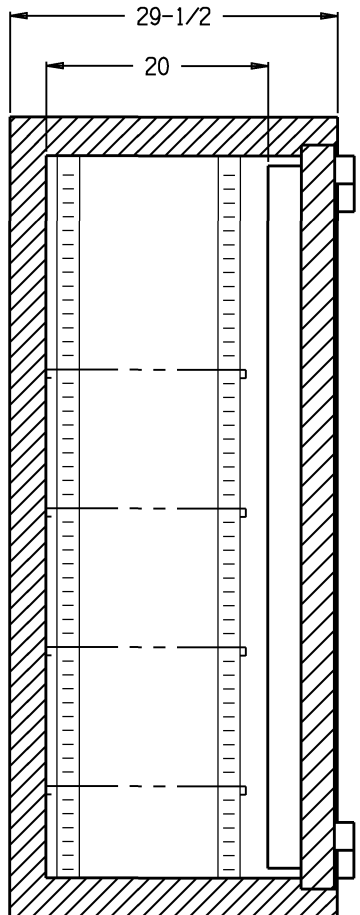
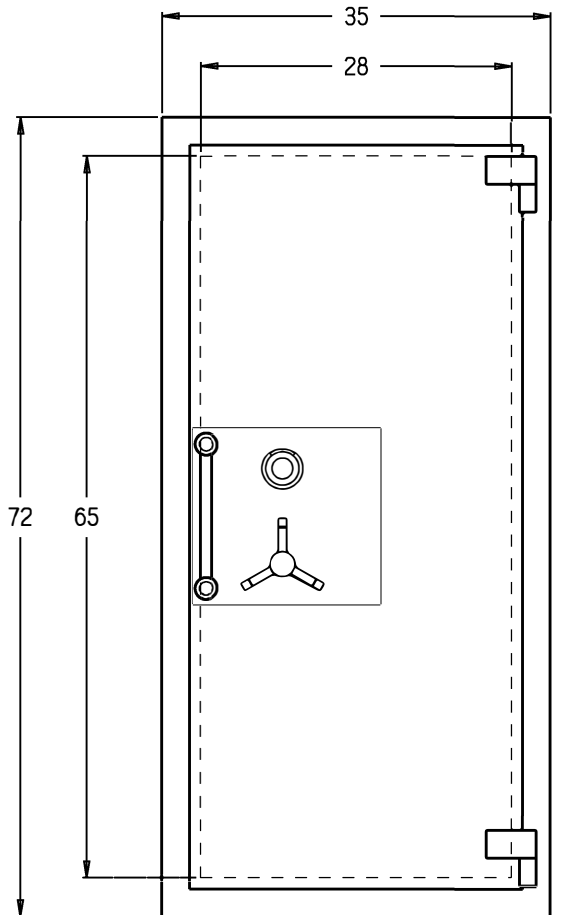


1 B

REVISIONS			
REV	DESCRIPTION	DATE	BY
A	UPDATED CONSTRUCTION		
B	WAS FRONT READ DIAL		



SECTION VIEW



FRONT VIEW



SCRIPPS[®]
safe

TOTAL Rx PROTECTION[®]



THIS IS A PROPRIETARY DRAWING AND MAY NOT BE COPIED IN ANY FASHION WITHOUT THE EXPRESS WRITTEN PERMISSION OF SCRIPPS SAFES.

APPROVALS	DATE

ML # TL 72

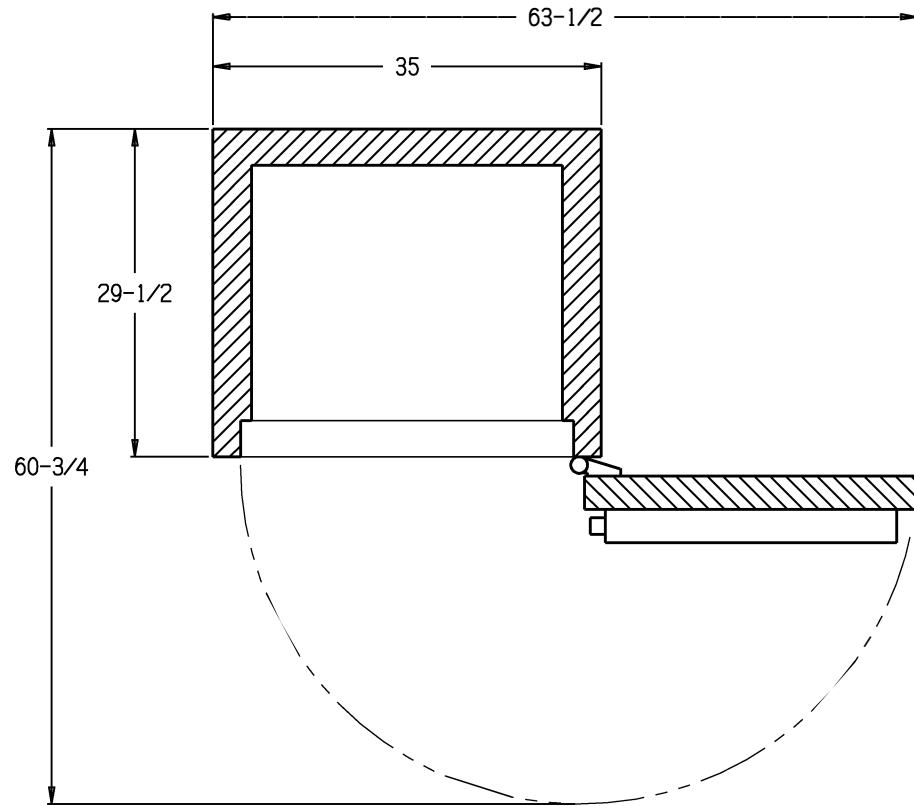
Guardian Series[™]

1-844-4Safe-Rx

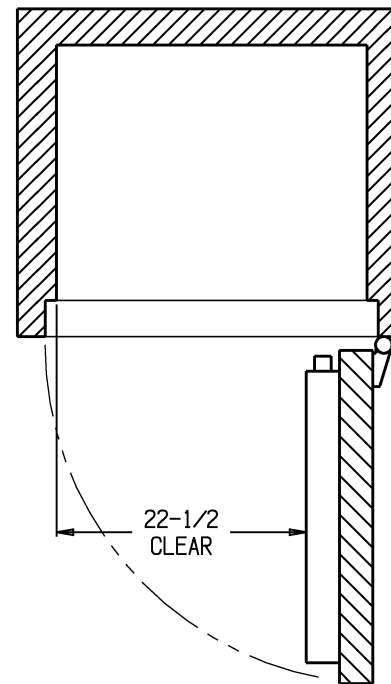
B	Q #	Guardian Series	B
SCALE	1/12	DO NOT SCALE DWG	SHEET 1 OF 3

2 B

REVISIONS			
REV	DESCRIPTION	DATE	BY
A	UPDATED CONSTRUCTION	16 JUN 15	R.F.T.
B	WAS FRONT READ DIAL	30 MAY 17	R.F.T.



PLAN SECTION VIEW
DOOR @ 180°



PLAN SECTION VIEW
DOOR @ 90°



APPROVALS	DATE

Guardian Series™

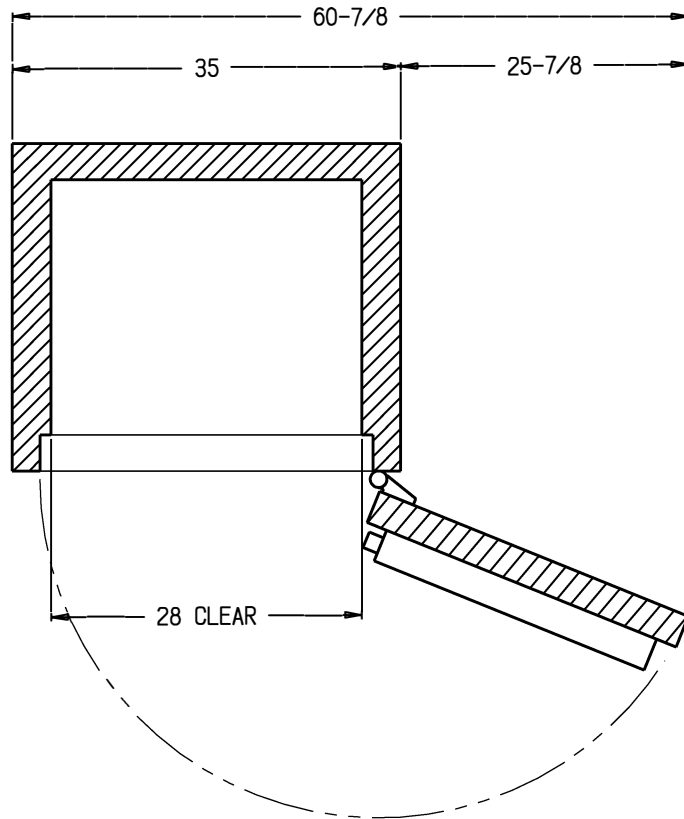
1-844-4Safe-Rx

THIS IS A PROPRIETARY DRAWING AND MAY NOT BE COPIED IN ANY
FASHION WITHOUT THE EXPRESS WRITTEN PERMISSION OF SCRIPPS SAFES.



F B

REVISIONS			
REV	DESCRIPTION	DATE	BY
A	UPDATED CONSTRUCTION		R.F.T.
B	WAS FRONT READ DIAL		R.F.T.



PLAN SECTION VIEW
DOOR @ 158°

SPECIFICATIONS

1. Safe, 72 H x 35 W x 29-1/2 D, Outside, UL Listed TL-30 Factory 350° - 2hr Fire Rating.
2. Chest, 65 H x 28 W x 20 D, Inside, Supplied with Four (4) Adjustable Shelves.
3. Outer Door, Clear Opening: 65 H x 28 W, Equipped with a UL Listed Access Control System, Tri-Spoke Handle, Pull Handle, Relocking Devices, Bolt Detent and with Five (5) 1-1/2" Dia. Chrome-Plated Locking Bolts. Lock Protected by a Drill-Resistant Hardplate.
4. Approx Weight: 3153 lbs.

APPROVALS	DATE



Guardian Series B

SCALE 1/12 DO NOT SCALE DWG SHEET 3 OF 3

THIS IS A PROPRIETARY DRAWING AND MAY NOT BE COPIED IN ANY FASHION WITHOUT THE EXPRESS WRITTEN PERMISSION OF SCRIPPS SAFES.

