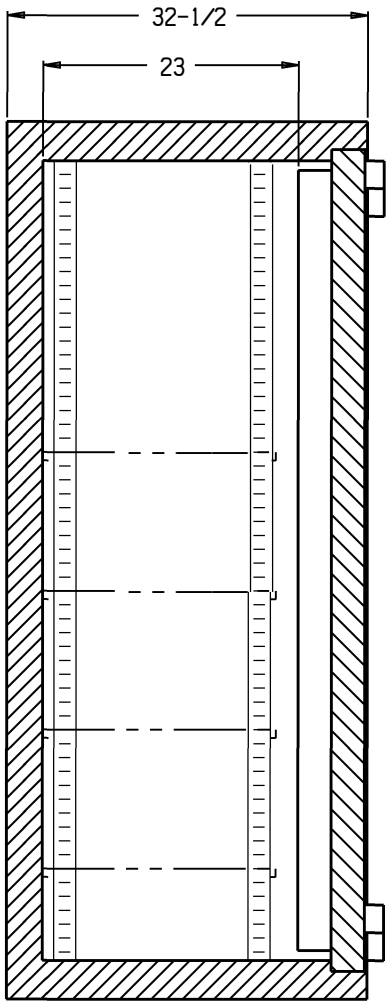
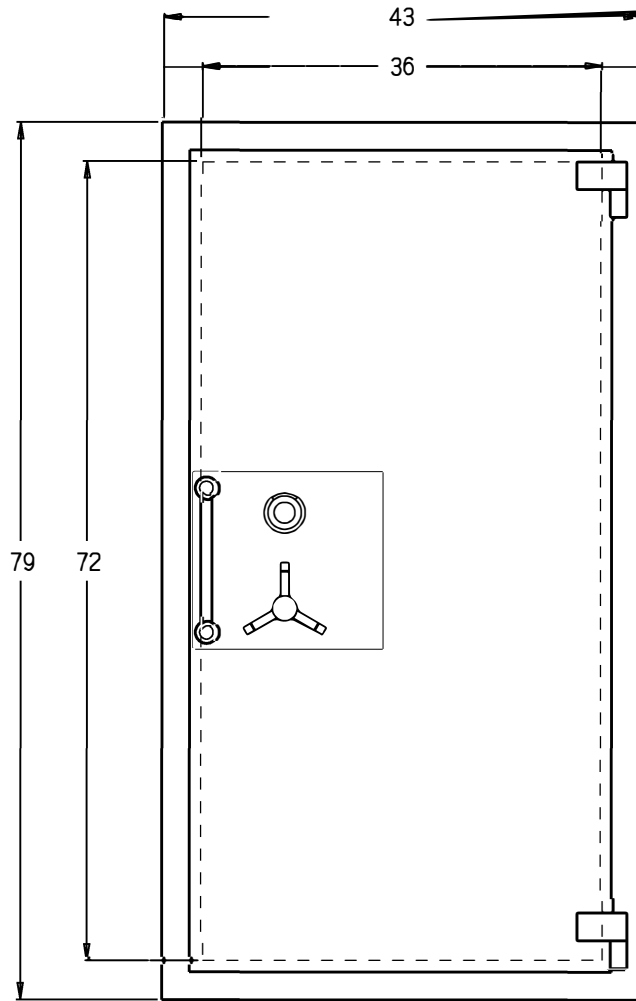


1 B

REVISIONS			
REV	DESCRIPTION	DATE	BY
A	UPDATED CONSTRUCTION	16 JUN 15	
B	WAS FRONT READ DIAL	30 MAY 17	



SECTION VIEW



FRONT VIEW



**SCRIPPS**<sup>®</sup>  
**safe**

TOTAL **R<sub>x</sub>** PROTECTION<sup>®</sup>

**Guardian Series™**

1-844-4Safe-Rx

APPROVALS	DATE
	11 MAR 11

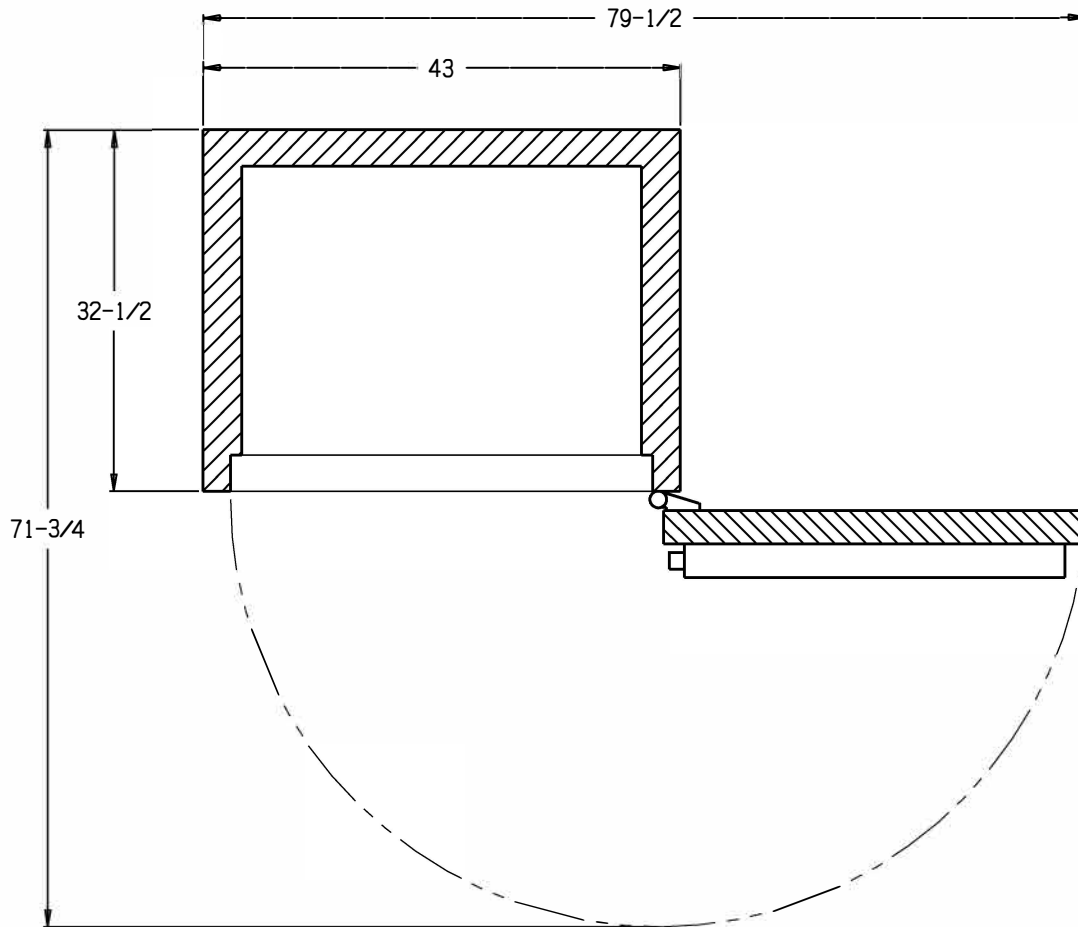
CE - 72.00 x 36.00 x 23.00			
B	Q #	UL TL 79	B
SCALE	1/12	DO NOT SCALE DWG	SHEET 1 OF 3

THIS IS A PROPRIETARY DRAWING AND MAY NOT BE COPIED IN ANY FASHION WITHOUT THE EXPRESS WRITTEN PERMISSION OF SCRIPPS SAFES.

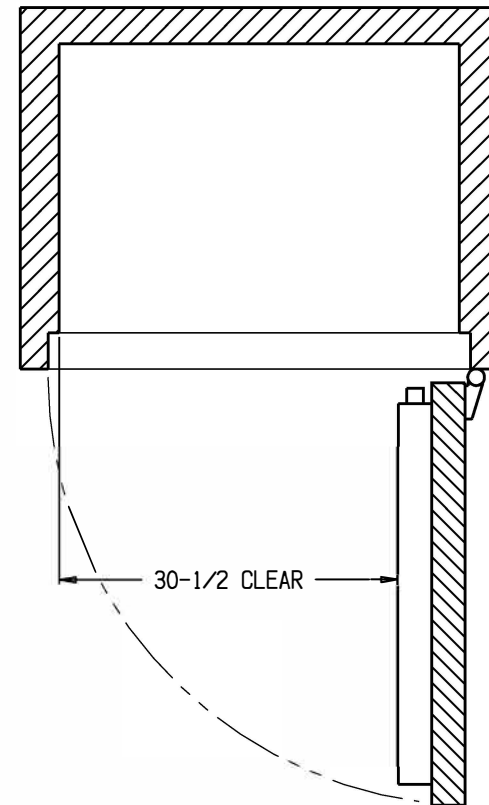


2 B

REVISIONS			
REV	DESCRIPTION	DATE	BY
A	UPDATED CONSTRUCTION	16 JUN 15	
B	WAS FRONT READ DIAL	30 MAY 17	



PLAN SECTION VIEW  
DOOR @ 180°



PLAN SECTION VIEW  
DOOR @ 90°

APPROVALS	DATE
	11 MAR 11

**SCRIPPS SAFE** Guardian Series™  
TOTAL PROTECTION®  
1-844-4Safe-Rx

CE - 72.00 x 36.00 x 23.00

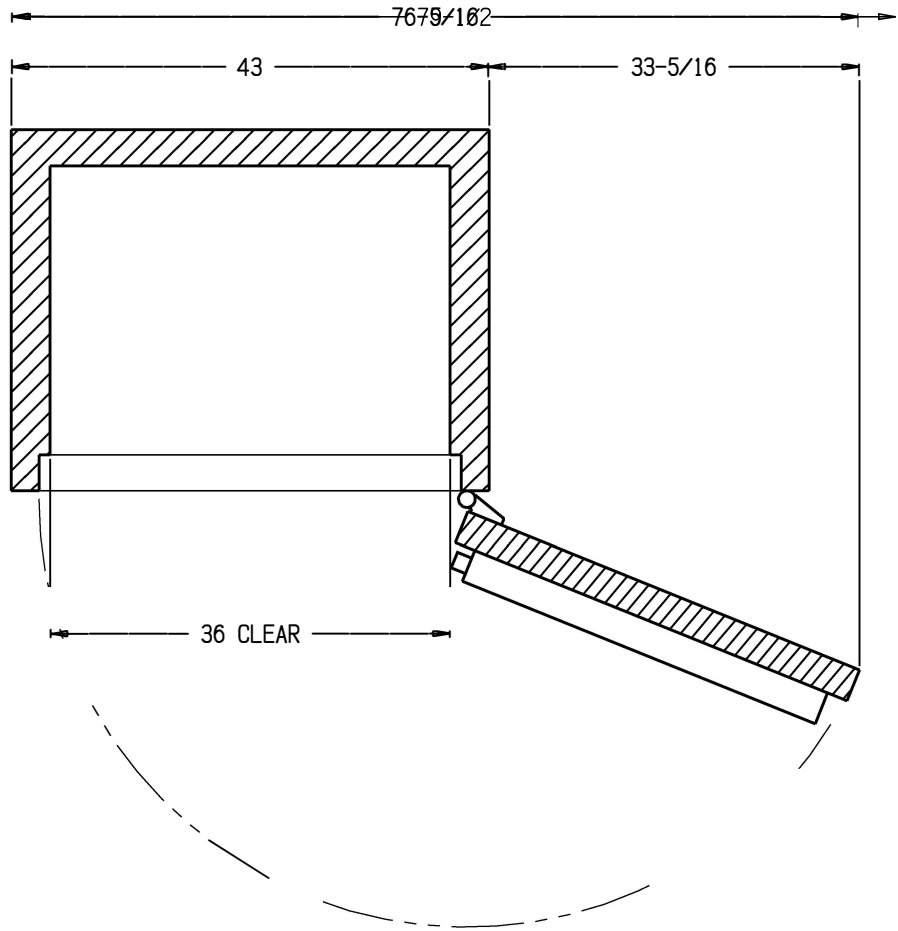
B		B
SCALE 1/12	DO NOT SCALE DWG	SHEET 2 OF 3

THIS IS A PROPRIETARY DRAWING AND MAY NOT BE COPIED IN ANY FASHION WITHOUT THE EXPRESS WRITTEN PERMISSION OF SCRIPPS SAFES.



SK2011-159	2	B
------------	---	---

REVISIONS			
REV	DESCRIPTION	DATE	BY
A	UPDATED CONSTRUCTION	16 JUN 15	R.F.T.
B	WAS FRONT READ DIAL	30 MAY 17	R.F.T.



PLAN SECTION VIEW  
DOOR @ 158°

SPECIFICATIONS

1. Safe 79 H x 43 W x 32-1/2 D, Outside. UL Listed TL-30 Factory 350 - 2hr Fire Rating.
2. Chest, 72 H x 36 W x 23 D, Inside, Supplied with Four (4) Adjustable Shelves.
3. Outer Door, Clear Opening: 72 H x 36 W, Equipped with a UL Listed Electronic Access Control System, Tri-Spoke Handle, Pull Handle, Relocking Devices, Bolt Detent and with Five (5) 1-1/2" Dia. Chrome-Plated Locking Bolts. Lock Protected by a Drill-Resistant Hardplate.
4. Approx Weight: 3880 lbs.

THIS IS A PROPRIETARY DRAWING AND MAY NOT BE COPIED IN ANY FASHION WITHOUT THE EXPRESS WRITTEN PERMISSION OF SCRIPPS SAFES.

